

Caractéristiques Techniques

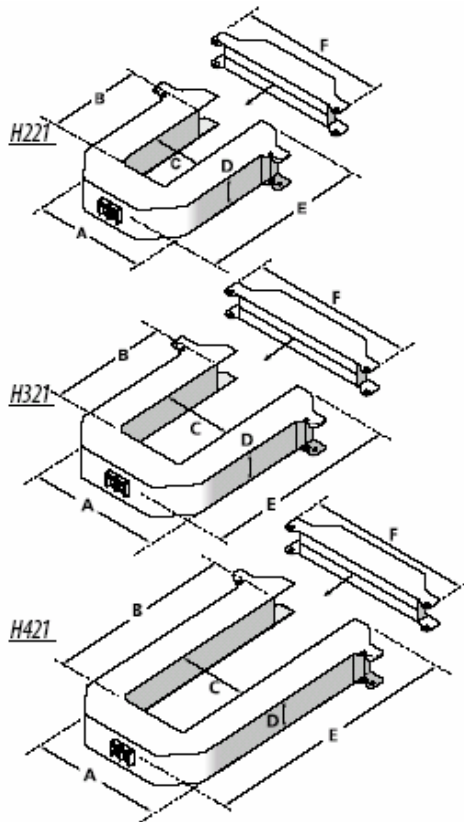
Amperage Range:

Model 221	0-300A (potentiometer scalable)
Model 321	0-800A (potentiometer scalable)
Model 421	0-2400A (potentiometer scalable)
Output	4-20mA
Insulation Class	600VAC rms
Frequency Range	60Hz nominal
Temperature Range	-15° to 60°C
Humidity Range	0 - 95% non-condensing
Accuracy	2%
Response Time	2 sec.
Supply Voltage	12 to 30VDC
Supply Current	30mA max.
Zero Adjustment	3.5 to 4.5mA



Entrées : 0 à 300 A
 : 0 à 800 A
 : 0 à 2400 A
Sortie : 4/20 mA, 2 Fils
Alimentation : 12 à 30 Vdc

Dimensions


H221

A = 3.75" (96 mm)
 B = 1.51" (38 mm)
 C = 1.25" (32 mm)
 D = 1.13" (29 mm)
 E = 4.20" (107 mm)
 F = 4.75" (121 mm)

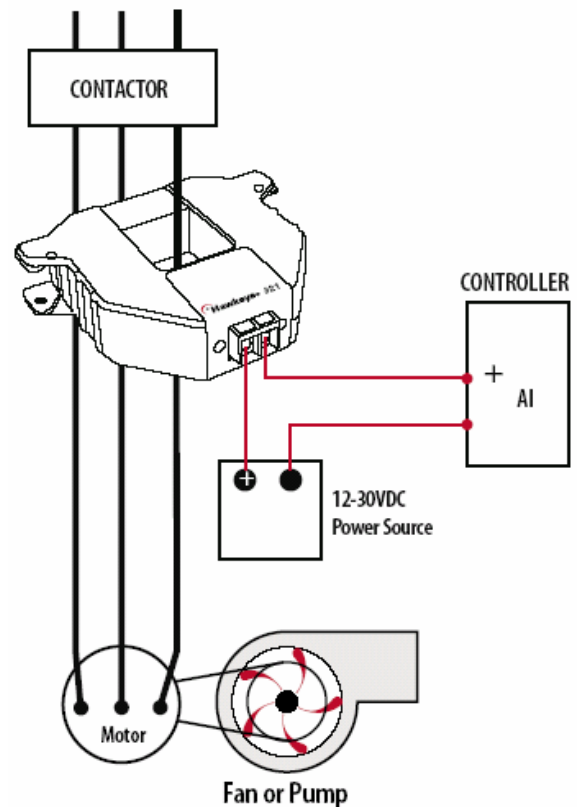
H321

A = 4.90" (125 mm)
 B = 2.89" (73 mm)
 C = 2.45" (62 mm)
 D = 1.13" (29 mm)
 E = 5.57" (142 mm)
 F = 5.91" (151 mm)

H421

A = 4.90" (125 mm)
 B = 5.50" (140 mm)
 C = 2.45" (62 mm)
 D = 1.13" (29 mm)
 E = 8.13" (207 mm)
 F = 5.92" (151 mm)

Application



Sous réserve de modifications sans préavis.