

Resistance ON-OFF rod sensor, general purpose ON-OFF rod sensor for conductor's liquids, IP65 protection.

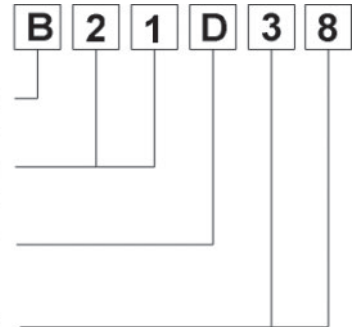
ORDER CODE (Example) RL6






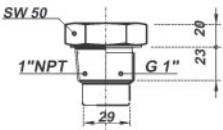

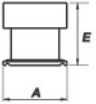
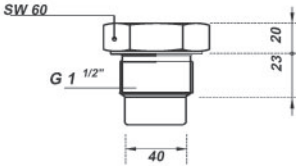
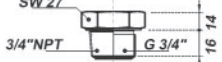



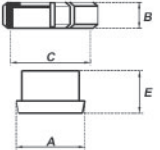
Version
PC polycarbonate loaded

Process connection
Sanitary DN40 DIN11851 AISI 404L

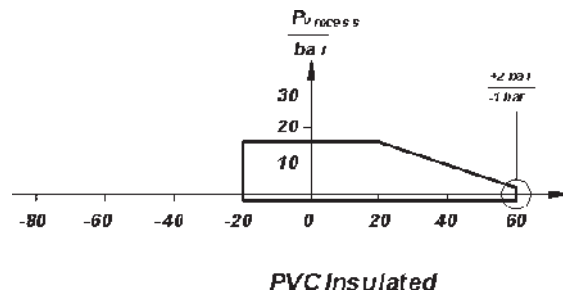
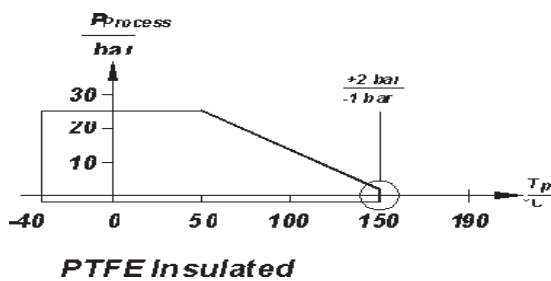
Electrode number
3 electrode

Electrode type and insulation
Ø5 AISI316 electrode, PTFE insulated



Version	PROCESS CONNECTION		Cod.: RL6 																				
Code: RL6 	THREADED	THREADED	SANITARY FITTING																				
PC polycarbonate loaded  DIN B aluminium varnished  DIN B PA plastic  DIN A Alluminium varnished  Special 	 0 2 G 1" AISI316 0 4 1" NPT AISI316 0 5 G 1" PVC	 8 4 G 1/2" AISI316 8 5 1/2" NPT AISI316 ONLY WITH SINGOL ELECTRODE AND DIN B HEAD CONNECTION	CLAMP "3A" CONFORM 7 1 DN25 (1") AISI316L 7 3 DN38 (1 1/2") AISI316L 7 5 DN51 (2") AISI316L <table border="1"> <thead> <tr> <th>DN</th> <th>A</th> <th>E</th> </tr> </thead> <tbody> <tr> <td>25 (1")</td> <td>50.5</td> <td>49</td> </tr> <tr> <td>38 (1 1/2")</td> <td>50.5</td> <td>49</td> </tr> <tr> <td>51 (2")</td> <td>64</td> <td>49</td> </tr> </tbody> </table> 	DN	A	E	25 (1")	50.5	49	38 (1 1/2")	50.5	49	51 (2")	64	49								
DN	A	E																					
25 (1")	50.5	49																					
38 (1 1/2")	50.5	49																					
51 (2")	64	49																					
	 1 2 G 1 1/2" AISI316 1 8 G 1 1/2" PVC	 9 2 G 3/4" AISI 316 9 3 3/4" NPT AISI316 9 4 G 3/4" PVC 9 9 SPECIAL ONLY WITH DIN B HEAD CONNECTION 93/92 ONLY N.1 Ø10 ELECTRODE 94 ONLY N.2 Ø3 ELECTRODE	ACCESSORIES extra -codice  SEAL RING  PIPE FOR CLAMP  WING-NUT DIN 11851 2 0 NW25 AISI304L 2 1 NW40 AISI304L 2 2 NW50 AISI304L  <table border="1"> <thead> <tr> <th>NW</th> <th>B</th> <th>C</th> <th>A</th> <th>E</th> </tr> </thead> <tbody> <tr> <td>25</td> <td>21</td> <td>52-6</td> <td>44</td> <td>35</td> </tr> <tr> <td>40</td> <td>21</td> <td>65-6</td> <td>56</td> <td>35</td> </tr> <tr> <td>50</td> <td>22</td> <td>78-6</td> <td>68</td> <td>35</td> </tr> </tbody> </table>	NW	B	C	A	E	25	21	52-6	44	35	40	21	65-6	56	35	50	22	78-6	68	35
NW	B	C	A	E																			
25	21	52-6	44	35																			
40	21	65-6	56	35																			
50	22	78-6	68	35																			

Electrode number Cod.: RL6 <input type="checkbox"/> <input type="checkbox"/> <input type="checkbox"/> <input type="checkbox"/> <input type="checkbox"/> <input type="checkbox"/>	Electrode Ø and insulation type Cod.: RL6 <input type="checkbox"/> <input type="checkbox"/> <input type="checkbox"/> <input type="checkbox"/> <input type="checkbox"/> <input type="checkbox"/>
<p><input type="checkbox"/> B 1</p> <p><input type="checkbox"/> C 2, only with Ø3÷5</p> <p><input type="checkbox"/> D 3, only with Ø3÷5</p> <p><input type="checkbox"/> E 4, only with Ø3÷5 and 1 1/2" or CLAMP connection</p> <p><input type="checkbox"/> F 5, only with Ø3÷5 and 1 1/2" o CLAMP connection</p> <p><input type="checkbox"/> Z Special</p>	<p><input type="checkbox"/> 3 <input type="checkbox"/> 6 Ø5 AISI316</p> <p><input type="checkbox"/> 3 <input type="checkbox"/> 7 Ø5 AISI316 PVC insulated</p> <p><input type="checkbox"/> 3 <input type="checkbox"/> 8 Ø5 AISI316 PTFE insulated</p> <p><input type="checkbox"/> 3 <input type="checkbox"/> 9 Ø5 AISI316 FEP insulated</p> <p><input type="checkbox"/> 4 <input type="checkbox"/> 0 Ø10 AISI316 only for single electrode</p> <p><input type="checkbox"/> 4 <input type="checkbox"/> 1 Ø10 AISI316 PVC insulated, only fo single electroder</p> <p><input type="checkbox"/> 4 <input type="checkbox"/> 4 Ø10 AISI316 PTFE insulated, only for single electrode</p> <p><input type="checkbox"/> 9 <input type="checkbox"/> 9 Special</p>



ZI N° 1 - 11 rue Edouard Branly - BP50433
F 37 174 Chambray les Tours Cedex

SIRET 433 159 316 00036 - APE 2651B
N° TVA INTRA FR00 433 159 316
Sarl Capital 45000 €

Tél +33 (0)2 47 27 39 85
Fax +33 (0)2 47 48 04 91

contact@airindex.fr
www.airindex.fr

