

Single Conductive Level Probes

Functions & Introduction

Functions : see our **NR Manual** - Conductive Level Detection.
 : see Manuals **DR50, DR52, DR53, DR54 & R7H** for the corresponding relays.

Your choice of probe depends on the features of the installation: temperature, pressure, type of mounting, etc. ... The Tables below set out their main features.

Probes with rigid rods can be mounted vertically or horizontally.

The length of the electrodes is to be stipulated in the order, but it can be adjusted on site: It must be equal to the distance between the fixing point and the level to be checked (see dimensions).

For further information we remain at your disposal.



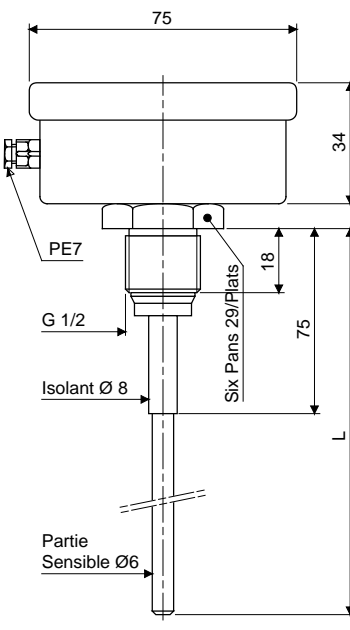
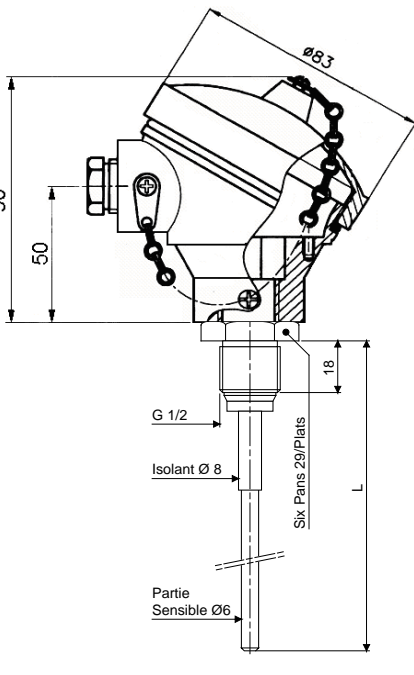
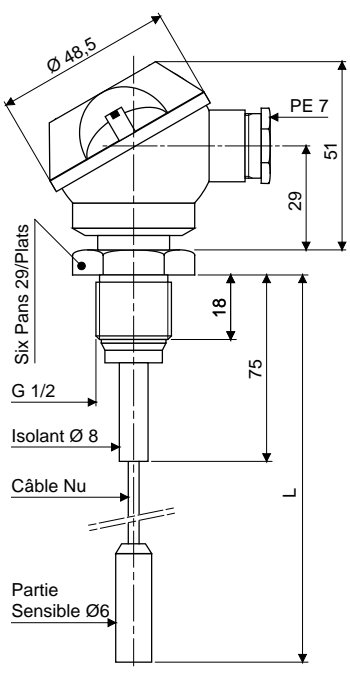
Technical specifications

Supplement for A11W2, A11W and A11Y probes:

- IP67 protection: with 316 stainless steel head,
- IP 65 protection: with resin-filled aluminium head and a "Two conductor cable" output (specify length when ordering).

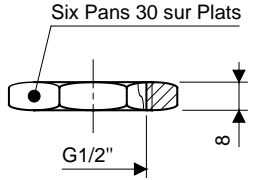
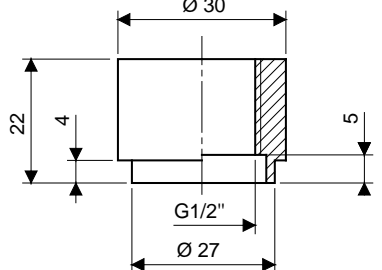
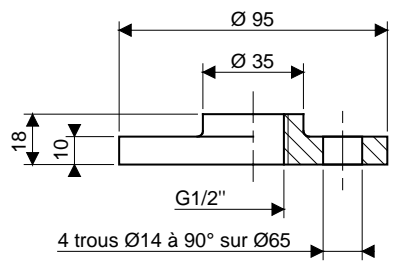
References & lengths	A11W1 --	A11W2 --	A11W --
	For L < 1 m L1	For L < 1 m L1	For L < 1 m L1
	For L < 2 m L2	For L < 2 m L2	For L < 2 m L2
	For L < 2.9 m L3	For L < 2.9 m L3	For L < 2.9 m L3
Connection	In Hex 29/Flats/IP51	Aluminium housing / IP55	Aluminium housing /IP55
Fixing	G1/2 connection 316L stainless steel	G1/2 316L stainless steel Sealing by tapered sealing lip	G1/2 connection 316L stainless steel
Sensitive part	316L stainless steel	316L stainless steel with bevelled tip	316L stainless steel
Insulator	PTFE	PTFE	PTFE
Pressure	6 bar max.	40 bars (max.)	40 bars (max.)
Temperature	max. 250°C	max. 220°C	max. 220°C
Dimensions			

Subject to change without notice.

References & lengths	A11W__ FEB For L < 1 m L1 FEB For L < 2 m L2 FEB	A11W__ TX For L < 1 m L1 TX For L < 2 m L2 TX	A11Y unlimited
Connection	Plastic housing ⁽¹⁾ /IP55	IP67 stainless steel head	Aluminium housing ⁽¹⁾ /IP55
Fixing	316L stainless steel connection,	316L stainless steel connection, G½ B	316L stainless steel connection, G½
Sensitive part	316L stainless steel rod	316L stainless steel rod	Bare cable, 316L stainless steel
Insulator	PTFE	PTFE	PTFE
Pressure	40 bars (max.)	40 bars (max.)	40 bars (max.)
Temperature	max. 220°C	max. 220°C	max. 220°C
Dimensions			

(1) IP 65 supplement: Casing filled with resin. Specify the length of "Cable connection" desired.

Mounting Accessories

Description	G1/2 316L stainless steel	Stainless steel welded socket	Stainless steel flange
Item code	902 394	207 074	211 774
Dimensions	 (for clamping on a sheet)		

Installation & commissioning

Secure the probe with the G1/2" connection. If necessary, adjust the length of the rod or cable according to the level to be checked by cutting it to length. For the cable, replace the counterweight.

Connect your probe to a "Conductive Level Detector" (see out manuals **DR50**, **DR52** or **R7H**):

- Connect the reference: If the tank is metal, the probe connection (except for A11W1L1) can act as a reference (see lug inside the housing). Alternatively, use another reference probe, the rod or the cable of which will be of a length at least equal to that of the level sensor.
- Connect the Level Probe Rod or cable to the appropriate terminal of the Detector

Subject to change without notice.