

Conductive Level Electrode

A11AL	NR
Index A1	Page 1/2

Functions & Introduction

Functions: see our **NR Manual** - Conductive Level Detection.

A conductive probe is associated with a level sensor: see Manuals **DR50, DR52, DR53, DR54** and **R7H**.

AL probes can be mounted vertically or horizontally.

The length of the electrodes is to be stipulated in the order, but it can be adjusted on site.

For vertical installation, the length must be equal to the distance between the fixing point and the level to be checked (see dimensions): For further information we remain at your disposal.

Use

It was developed to meet the food processing industry's requirements for: Chemical, Bacteriological and Normative levels. It is fixed by a clamp system for rapid assembly and disassembly and particularly easy cleaning. Optionally, we can supply a PTFE seal, the locking collar the tapered side tip for welding.

Technical specifications

Item code	A11AL _ Length L < 1 m 1 Length L < 2 m 2	A11ALH _ Length L < 1 m 1 Length L < 2 m 2
Head	IP55 aluminium housing	IP65 Hirschman socket
Dimensions		
Fixing	316 L stainless steel clamp connection	
Sensitive part	316L stainless steel rod, Ø6 mm	
Insulator	Partially insulated with PTFE	
Pressure	10 bars (max.)	
Temperature	Fluid: max. 150°C	



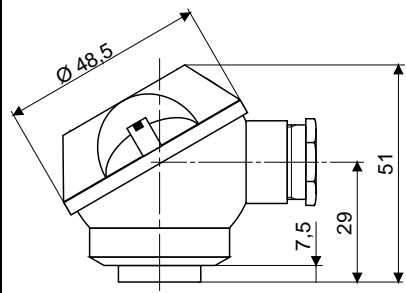
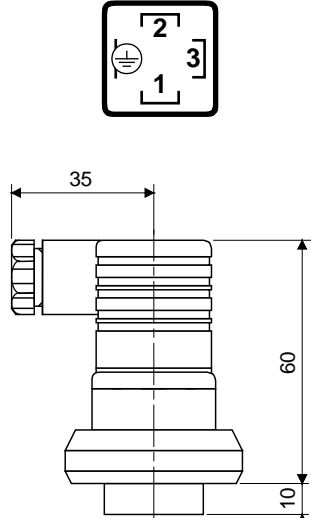
Subject to change without notice.

Installation & commissioning

Secure the probe with the clamp. If necessary, adjust the length of the rod according to the level to be checked by cutting it to length.

Connect your probe to a "Conductive Level Detector" (see out manuals **DR50**, **DR52** or **R7H**):

- Connect the reference: If the tank is metal, the probe's clamp connection of the probe can act as reference (see Table below). Alternatively, use another reference probe, the rod for which will be of a length at least equal to that of the level sensor.
- Connect the Level Probe Rod to the appropriate terminal of the Detector

Reference CLAMP connection	Small lug on the side	Terminal ⊕
Detection electrode	Large central lug	Terminal 1
		

Subject to change without notice.