

Detector with Miniature Float

- Horizontal or Vertical Mounting
- Reliability & great use in a wide variety of liquids
- Ø28 stainless steel & Ø25 plastic float, Ø52 stainless steel float - See FH/SH manual
- 316SS Model SH10 - see FH/SH manual



Functions & Description

See our **NF Manual**: Measurement & Float Level Switches.
 These miniature level switches were designed for use in small tanks.
 Their simple and robust design means they can be used in large quantities.

Overload protection

Surges: The reed contact cannot be used directly to start inductive loads, such as motors et al. Its breaking power is relatively low.

Surge currents: these can lead to welding of the reed leaves.
 Be sure to protect the reed against voltage and current surges by using Contact Protection relays.

Contact specification		
Switch	50 VA	15 VA
Maximum power.	50 VA AC	15 VA AC
Peak current.	0.5A AC	1.0A AC
Max. voltage	300V AC	264V AC
Life expectancy		

Technical Notes

- The detector should be placed away from magnetic fields produced by other devices (motors, etc).
- The cable seal prevents oxidation from contact with moisture, but it does not prevent water infiltration.
- If the surface of the liquid is agitated by waves, a timer should be used to output the signal from the switch to prevent unwanted activations.
- Maximum impact resistance: 10g/Maximum pull on the sensor cable: 19.6 N

Item codes & Features

VERTICAL		Material				T° max in °C	Pressure Max.	PdC Max VA AC	Density Min.	Length Wire/Cable
Type	Item code	Connection	Connection/Rod	Float	Circlips					
OLV5	DF0704LSFM	G1/8	316SS	316Lss	316SS	-10/+100	20 bar	50	0,8	F 1m
	DF0704LSFM-1	G1/8	316SS	316Lss	316SS	-10/+100	20 bar	50	0,8	C 2m
OLV5-N		1/8 NPT	316SS	316Lss	316SS	-10/+100	20 bar	50	0,8	F 1m
OLV-2A	DF0701OF	G1/8	Polyacetal	BUNA	316SS	-10/+90	10 bar	50	0,6	F 0.3m
OLV-2P	DF0701OF-P	G1/8	PP	PP	PP	-10/+90	10 bar	50	0,85	F 0.3m
OLV-2F	DF0701OF-F	G1/8	PVDF	PVDF	PVDF	-10/+100	10 bar	50	0,9	F 0.3m
HORIZONTAL										
OLH-3	DF0708OF	G1/4	PP	PP	PP	-10/+90	10 bar	50	0,8	F 0.3m
OLH-10	DF0708OLH10	G1/4	PP	PP	PP	-10/+90	10 bar	50	0,8	F 0.3m
ELBOW VERSION										
OLV-25	DF0704-OLV25	G1/8	304SS	316Lss	304SS	-10/+100	20 bar	50	0,8	F 1m

PP = Polypropylene/PVDF = Polyvinylidene Fluoride /BUNA = Polypropylene

Refer also to the FH/SH manual

* Float Ø 52		Material				T° max in °C	Pressure Max.	PdC Max VA AC	Density Min.	Length Wire/cable
Type	Item code	Connection	Connection/Rod	Float	Circlips					
FH30 *	DF0705LSFM	G1/4 tapered	304SS	316SS	304SS	-10/+120	20 bar	15	0,55	
FH50 *	DF0701OF-F	G1/2 tapered	304SS	316SS	304SS	-10/+200	20 bar	110	0,7	F 0.4m
SH10	DF0709OF	G1/2 tapered	316SS	316Lss	316SS	-10/+120	10 bar	50	0,6	F 0.3m

Subject to change without notice.

Detector with Miniature Float

Vertical mounting models

	OLV5 stainless steel	OLV2 Plastic												
Vertical mounting		<table border="1" style="margin-bottom: 10px;"> <thead> <tr> <th></th> <th>A</th> <th>B</th> </tr> </thead> <tbody> <tr> <td>OLV-2A</td> <td>24,5</td> <td>14</td> </tr> <tr> <td>OLV-2P</td> <td>20,0</td> <td>19</td> </tr> <tr> <td>OLV-2F</td> <td>19,0</td> <td>20</td> </tr> </tbody> </table>		A	B	OLV-2A	24,5	14	OLV-2P	20,0	19	OLV-2F	19,0	20
	A	B												
OLV-2A	24,5	14												
OLV-2P	20,0	19												
OLV-2F	19,0	20												

The working of the (Normally **Open** or Normally **Closed**) can be easily changed by altering the direction of the float by taking out the circlip at the end of the guide tube. When reassembling, be sure to orient the float properly, because its orientation determines the choice of NO or NC contact:

- Contact **Normally Open**: Closing by rising level.
- Contact **Normally Closed**: Closing by falling level

Horizontal mounting models

OLH3: The magnet is in direct contact with the liquid.
 : The operation of the contact (**NO** or **NC**) is changed on installation by placing the key facing down.

OLH10

Subject to change without notice.

Detector with Angled Float

OLV-25	NF
Index A1	Page 1/1

Functions

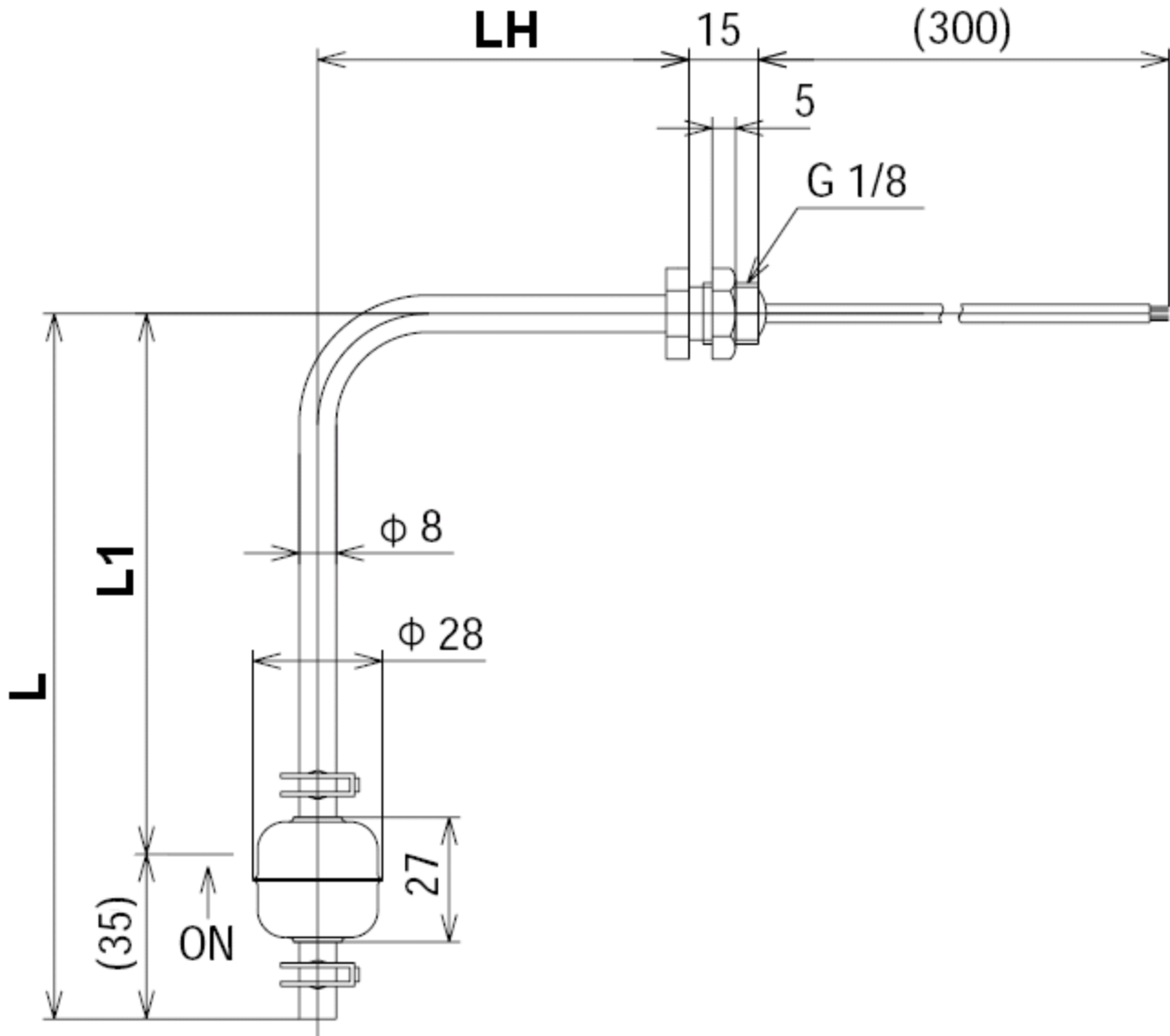
See our **NF & OL manuals**.

Specification

VERTICAL		Material				T° max in °C	Pressure Max.	PdC Max VA AC	Density Min.	Length Wire/Cable
Type	Item code	Connection	Connection/Rod	Float	Circlips					
OLV-25	DF0704-OLV25	G1/8	304SS	316Lss	304SS	-10/+100	20 bar	50	0,8	F 1m

Dimensions

	Min. value.	Max. value
Length L	85 mm	400 mm
Length L1	50 mm	365 mm
Length LH	50 mm	100 mm



Subject to change without notice.