

Detector with stainless steel Miniature

- Small size and great reliability
- Horizontal or Vertical Mounting
- All 316L stainless steel

Description & Functions

See our NF Manual : Measurement & Float Level Switches

See our OL Manual : for Ø25 and Ø28 floats



Overload protection

Surges: The reed contact cannot be used directly to start inductive loads, such as motors et al. Its breaking power is relatively low.

Surges: these can lead to welding of the reed leaves. Be sure to protect the reed against voltage and current surges by using Contact Protection relays.

Contact specification		
Switch	50 VA	15 VA
Maximum power.	50 VA AC	15 VA AC
Peak current.	0.5A AC	1.0A AC
Max. voltage	300V AC	264V AC
Life expectancy		

FH models: vertical mounting

Dimensions & Functions

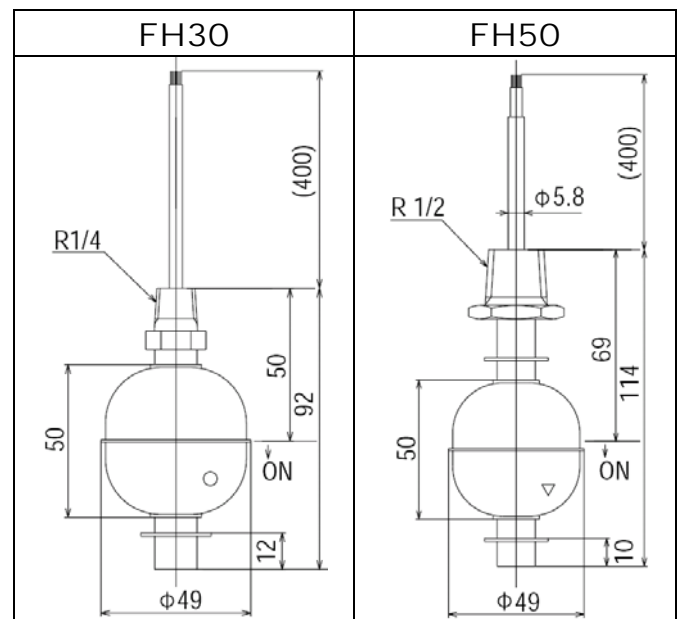
The working of the contact (**Normally Open** or **Normally Closed**) can be easily changed by altering the direction of the float by taking out the circlip at the end of the guide tube.

When reassembling, be sure to orient the float properly, because its orientation determines the choice of NO or NC contact:

- Contact **Normally Open**: Closing by rising level.
- Contact **Normally Closed**: Closing by falling level

SH models: horizontal mounting

See page 2/2 of this manual.

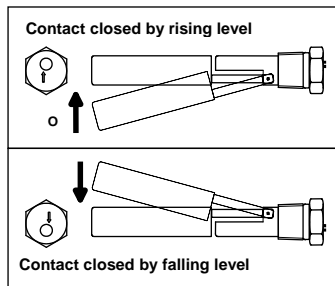
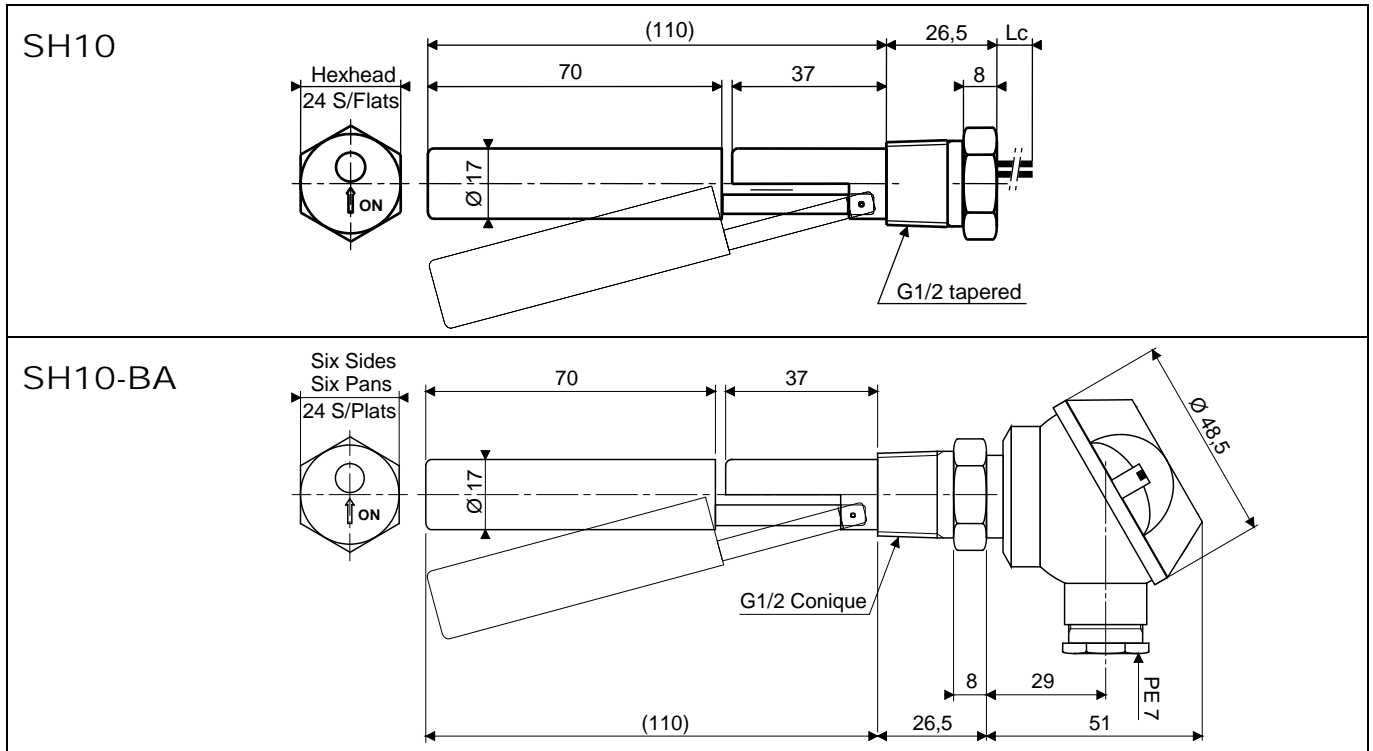


Specification & Part numbers for ordering

Type	Item code	Connection	Material			T° max in °C	Pressure Max.	PdC max VA AC	Density Min.	Output
			Connection /Rod	Float	Circlips					
FH30	DF0705LSFM	G1/4 tapered	304SS	316SS	304SS	-10/+120	20 bar	15	0,55	1 m wire
FH50	DF0705LSFM-1	G1/2 tapered	304SS	316SS	304SS	-10/+200	20 bar	110	0,7	1 m wire
SH10	DF0709OF	G1/2 tapered	316SS	316LSS	316SS	-10/+120	10 bar	50	0,6	0.3 m wire
SH10-BA	DF0709OF-BA	G1/2 tapered	316SS	316LSS	316SS	-10/+120	10 bar	50	0,6	Aluminium head

Subject to change without notice.

SH models: horizontal mounting



Subject to change without notice.